

**JUMO GmbH & Co. KG**  
 Delivery address: Mackenrodtstraße 14  
 36039 Fulda, Germany  
 Postal address: 36035 Fulda, Germany  
 Phone: +49 661 6003-0  
 Fax: +49 661 6003-607  
 E-mail: mail@jumo.net  
 Internet: www.jumo.net

**JUMO Instrument Co. Ltd.**  
 JUMO House  
 Temple Bank, Riverway  
 Harlow, Essex CM20 2DY, UK  
 Phone: +44 1279 635533  
 Fax: +44 1279 635262  
 E-mail: sales@jumo.co.uk  
 Internet: www.jumo.co.uk

**JUMO Process Control, Inc.**  
 8 Technology Boulevard  
 Canastota, NY 13032, USA  
 Phone: 315-697-5866  
 1-800-554-JUMO  
 Fax: 315-697-5867  
 E-mail: info@jumo.us  
 Internet: www.jumo.us



# Differential Pressure Transmitter

## JUMO MIDAS DP10

### Type 401050

#### Brief description

This differential pressure transmitter measures the pressure in liquid and gaseous media. The difference between the two pressures is converted into an analog output signal. The piezo-resistive silicon sensor is built into a stainless steel housing.



Type 401050/000-xxx-xxx-xxx-xx-xxx-61

#### Technical data

Unless further specified, all the following percentage values refer to the measurement span.

#### Reference conditions

as per DIN 16 086 and EN 60 770

#### Measuring ranges

Meas. range	Max. system pressure <sup>2</sup>	Max. overload on both sides <sup>2</sup>	Max. single-sided overload		Bursting pressure	Overall error <sup>3</sup> (% of full scale)	Long-term stability (per annum)
			+ side	- side			
0 to +0.4 bar	5 bar	7.5 bar	7.5 bar	5 bar	≥ 60 bar	≤ 2.5% <sup>4</sup>	≤ 0.6%
0 to +0.6 bar						≤ 2.5% <sup>4</sup>	
0 to +1 bar						≤ 2.3% <sup>4</sup>	
0 to +1.6 bar	10 bar	15 bar	15 bar	10 bar	≥ 60 bar	≤ 2.0% <sup>4</sup>	≤ 0.6%
0 to +2.5 bar						≤ 2.0% <sup>4</sup>	
0 to +4 bar	30 bar <sup>1</sup>	45 bar	15 bar	10 bar	≥ 60 bar	≤ 1.8% <sup>4</sup>	≤ 0.4%
0 to +6 bar			25 bar			≤ 1.8% <sup>4</sup>	
0 to +10 bar			30 bar			≤ 1.5% <sup>4</sup>	
0 to +16 bar			30 bar			≤ 1.5% <sup>4</sup>	

#### Parts in contact with medium<sup>5</sup>

stainless steel, Mat. Ref. 1.4571  
 stainless steel, Mat. Ref. 1.4435  
 stainless steel, Mat. Ref. 1.4305  
 plastic, PBT GF30 or  
 plastic, POM GF40  
 seal: FPM

#### Output

4 – 20 mA 2-wire  
 burden ≤ (U<sub>B</sub>-10 V) / 0.02A

0.5 – 4.5 V ratiometric  
 burden ≥ 20 kΩ

#### Burden error

< 0.5%

#### Zero offset

≤ 0.3%

#### Thermal hysteresis

(within the compensated range -15 to +85°C)

for meas. ranges ≤ 0.6 bar: ≤ ± 1%  
 for meas. ranges > 0.6 bar: ≤ ± 0.5%

#### Step response

for current output ≤ 3 msec  
 for voltage output ≤ 10 msec

#### Supply voltage

10 – 30 V DC (for 4 – 20 mA output)

5 V DC ± 0.5 V (for 0.5 – 4.5 V output)

Ripple: the voltage peaks must not go outside the limits specified for the supply.

Max. current drawn: 25 mA

#### Supply voltage error

≤ 0.02% per V for 4 – 20 mA output

#### Nominal supply voltage

24 V DC

ratiometric for 0.5 – 4.5 V output

#### Operating temperature

ambient: -20 to +80°C  
 medium: -15 to +100°C<sup>6</sup>  
 storage: -50 to +100°C

#### Electromagnetic compatibility (EMC)

as per EN 61 326

interference emission: Class B

interference immunity: to industrial requirements

<sup>1</sup> Maximum ambient temperature +60°C

<sup>2</sup> For simultaneous pressure on both + and - sides

<sup>3</sup> The total error includes errors due to linearity, hysteresis, reproducibility and temperature drift over the range from -15 to +85°C.

<sup>4</sup> of full scale

<sup>5</sup> The customer must test the compatibility with the medium being measured.

<sup>6</sup> If the medium is water at temperatures above 50°C, then pipes or hoses must be used to separate the transmitter from the process. E. g. for water at 85°C, at least 200 mm long (depending on the ambient temperature).

® Bayer Material Science

**JUMO GmbH & Co. KG**  
 Delivery address: Mackenrodtstraße 14  
 36039 Fulda, Germany  
 Postal address: 36035 Fulda, Germany  
 Phone: +49 661 6003-0  
 Fax: +49 661 6003-607  
 E-mail: mail@jumo.net  
 Internet: www.jumo.net

**JUMO Instrument Co. Ltd.**  
 JUMO House  
 Temple Bank, Riverway  
 Harlow, Essex CM20 2DY, UK  
 Phone: +44 1279 635533  
 Fax: +44 1279 635262  
 E-mail: sales@jumo.co.uk  
 Internet: www.jumo.co.uk

**JUMO Process Control, Inc.**  
 8 Technology Boulevard  
 Canastota, NY 13032, USA  
 Phone: 315-697-5866  
 1-800-554-JUMO  
 Fax: 315-697-5867  
 E-mail: info@jumo.us  
 Internet: www.jumo.us



**Mechanical shock**

(to IEC 68-2-27)  
 100 g/ 1msec

**Mechanical vibration**

(to IEC 68-2-6)  
 ≤ 20 g for 15 – 2000 Hz

**Enclosure protection**

(to EN 60 529)  
 with round connector M12 x 1: IP67  
 with bayonet to DIN 72585: IP67  
 with fixed cable: IP67

**Process connection**

2 x G1/8 internal thread  
 adapters for pipes and hoses: see order details

**Electrical connection**

see order details

round connector M12 x 1  
 or  
 bayonet connector DIN 72585  
 or  
 fixed cable, 2 m (other lengths on request)

**Operating position**

unrestricted  
 (deviations from the nominal operating position can cause an error of up to 2 mbar)

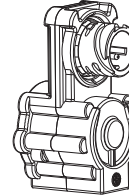
**Weight**

180 g  
 (approx. 220 g with mounting bracket)

**Fixing options**

- 3 holes on housing bottom
- mounting bracket (accessory)
- on measurement lines (e.g. 6 x 1 pipe)

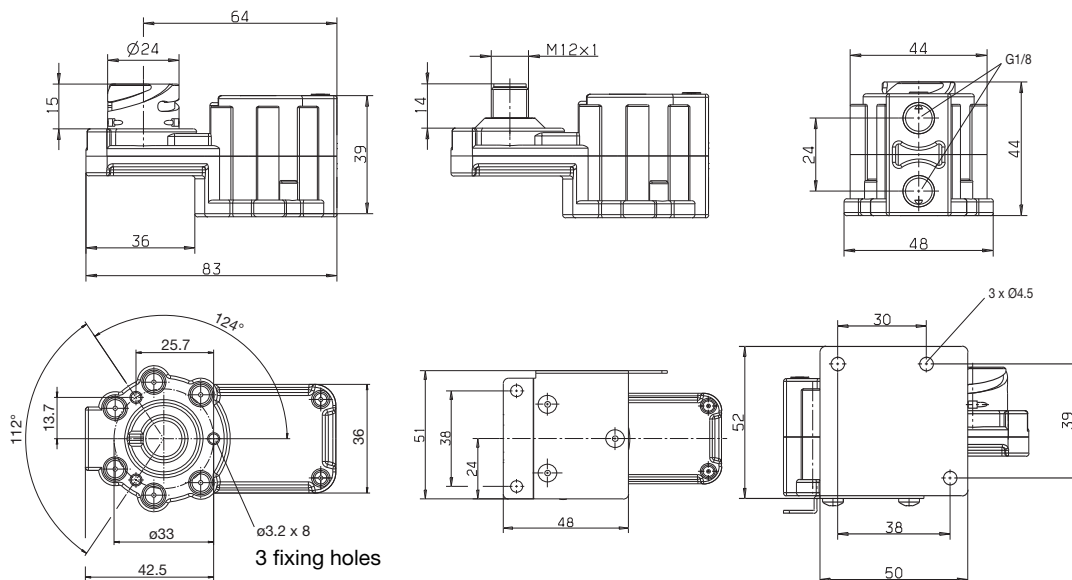
**Nominal position**



**Electrical connection**

		 Bayonet connector	 Round connector	Cable
<b>Voltage output</b>				
Supply voltage		1 L+		white L+
11.5 – 30 V DC ±0.5 V (with output 0 to 10 V)		2 L-		brown L-
5 V DC ±0.5 V (with output 0.5 to 4.5 V)				
Output		2 -		brown -
0 – 10 V		3 +		black +
0.5 – 4.5 V				
<b>Current output</b>				
Supply voltage			1 +	white L+
10 – 30 V DC			3 -	brown L-
Output			1 +	white L+
4 – 20 mA (2-wire)			3 -	brown L-

**Dimensions**



**JUMO GmbH & Co. KG**  
 Delivery address: Mackenrodtstraße 14  
 36039 Fulda, Germany  
 Postal address: 36035 Fulda, Germany  
 Phone: +49 661 6003-0  
 Fax: +49 661 6003-607  
 E-mail: mail@jumo.net  
 Internet: www.jumo.net

**JUMO Instrument Co. Ltd.**  
 JUMO House  
 Temple Bank, Riverway  
 Harlow, Essex CM20 2DY, UK  
 Phone: +44 1279 635533  
 Fax: +44 1279 635262  
 E-mail: sales@jumo.co.uk  
 Internet: www.jumo.co.uk

**JUMO Process Control, Inc.**  
 8 Technology Boulevard  
 Canastota, NY 13032, USA  
 Phone: 315-697-5866  
 1-800-554-JUMO  
 Fax: 315-697-5867  
 E-mail: info@jumo.us  
 Internet: www.jumo.us



**Order details**

- 401050 (1) **Basic type** Differential pressure transmitter JUMO MIDAS DP 10
- /000 (2) **Basic type extensions** none
- /999 special version
- 452 (3) **Input for differential pressure** 0 – 0.4 bar
- 453 0 – 0.6 bar
- 454 0 – 1.0 bar
- 455 0 – 1.6 bar
- 456 0 – 2.5 bar
- 457 0 – 4 bar
- 458 0 – 6 bar
- 459 0 – 10 bar
- 460 0 – 16 bar
- 999 special measuring range
- 405 (4) **Output** 4 – 20 mA 2-wire
- 412 0.5 – 4.5 V 3-wire
- 415 0 – 10 V 3-wire
- 297 (5) **Process connection<sup>1</sup>** stainless steel tube, 6mm dia., stainless steel 1.4571
- 305 screwed pipe joint, 6mm dia., stainless steel 1.4571 / FPM
- 306 screwed pipe joint, 6mm dia., brass
- 593 2 x G 1/8 to EN 837
- 68 (6) **Housing material** PBT
- 601 (7) **Seal material** FPM
- 11 (8) **Electrical connection** fixed cable, 2 m
- 36 round connector M 12 x 1
- 53 bayonet connector to DIN 72585
- 000 (9) **Extra codes** none

	(1)	(2)	(3)	(4)	(5)	(6)	(7)	(8)	(8)
<b>Order code</b>	<input type="text"/>	/ <input type="text"/>	- <input type="text"/>	- <input type="text"/>	- <input type="text"/>	- <input type="text"/>	- <input type="text"/>	- <input type="text"/>	/ <input type="text"/>
<b>Order example</b>	401050	/ 000	- 454	- 405	- 593	- 68	- 601	- 36	/ 000

**Accessories**

Designation	Sales No.
4-pole straight connector M12 x 1 with 2m PVC cable	40/00404585
4-pole angled connector M12x1 with 2m PVC cable	40/00409334
Angled mounting bracket	40/00448193
Straight mounting bracket	40/00490132
Bayonet jack with 3m cable	40/00463392

<sup>1</sup> other process connections on request.