

# Impermeability special Manometer for gas network MP 130

## KEY POINTS

- Easy to use
- Adjustable backlight
- Hold-min-max functions
- Selection of units

## TECHNICAL FEATURES

<b>Measuring range</b>	Sensor piezoresistive
<b>Tolerated overpressure</b>	700 mbar
<b>Connector</b>	Ø 4,6 mm threaded connectors made of nickelled brass
<b>Display</b>	4 lines, LCD technology. Sizes 50 x 36 mm 2 lines of 5 digits with 7 segments (value) 2 lines of 5 digits with 16 segments (unit)
<b>Housing</b>	ABS, protection IP54
<b>Keypad</b>	5 keys
<b>European directives</b>	2004/108/EC EMC ; 2006/95/EC Low Voltage ; 2011/65/EU RoHS II ; 2012/19/EU WEEE
<b>Power supply</b>	4 batteries AAA LR03 1.5 V
<b>Battery life</b>	180 hours
<b>Ambience</b>	Neutral gas
<b>Conditions of use (°C, %RH, m)</b>	From 0 to +50 °C. In non condensing conditions. From 0 to 2000 m.
<b>Storage temperature</b>	From -20 to +80 °C
<b>Auto shut-off</b>	Adjustable from 0 à 120 min
<b>Weight</b>	220 g



## SPECIFICATIONS

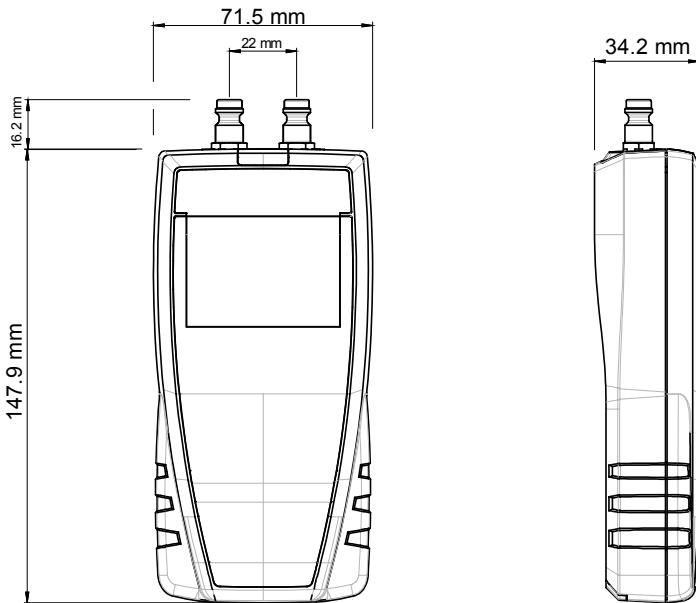
Measuring units	Measuring range	Accuracy <sup>1</sup>	Resolution
kPa, inWg, mbar, mmHg, daPa	From -500 to +500 mbar	From -20 to 20 mbar : ±0.4% of reading ±0.3 mbar From -500 to -20 mbar and from 20 to 500 mbar : ±0.1% of reading ±0.6 mbar	From -20 to 20 mbar : 0.01 mbar From -500 to -20 mbar and from 20 to 500 mbar : 0.1 mbar

## FUNCTIONS

- Pressure measurement
- Selection of units
- Manual self-calibration
- Hold function
- Display of minimum and maximum values
- Configurable auto shut-off
- Backlight

<sup>1</sup>All the accuracies indicated in this technical datasheet were stated in laboratory conditions, and can be guaranteed for measurements carried out in the same conditions, or carried out with calibration compensation

## DIMENSIONS



## SUPPLIED WITH

- Instruments are supplied with :
- Magnetic protective housing
  - Calibration certificate
  - Seal Kit
  - Transport case



## MAINTENANCE

We carry out calibration, adjustment and maintenance of your instruments to guarantee a constant level of quality of your measurements. As part of Quality Assurance Standards, we recommend you to carry out a yearly checking.

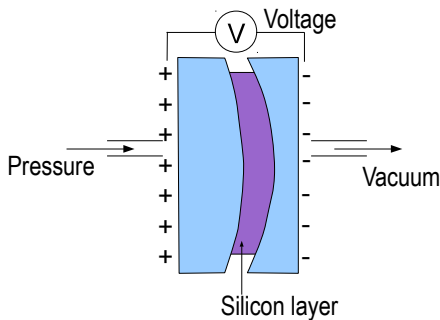
## GUARANTEE

Instruments have 1-year guarantee for any manufacturing defect (return to our After-Sales Service required for appraisal).

## OPERATING PRINCIPLES

### Piezoresistive sensor

The pressure deforms the silicon layer. This layer deformation generates a voltage at its terminations. This voltage is proportional to the pressure applied.



## SEAL KIT INCLUDES

Connectors		Plugs	
Stainless steel male connector, 9 mm diameter	Stainless steel female connector, 9 mm diameter	Plug : outside diameter : 22-44 mm 9 mm male connector	Plug : outside diameter: 18-32 mm 9 mm male connector
Tap with 2 valves and 3 channels	Pressurization pump	Connections	
	Rubber pump		
		10-32	6-20
		Male bottle	M20x1.5
		1/2G	Fast connector

[www.kimo.fr](http://www.kimo.fr)



EXPORT DEPARTMENT  
Tel : + 33. 1. 60. 06. 69. 25 - Fax : + 33. 1. 60. 06. 69. 29  
e-mail : [export@kimo.fr](mailto:export@kimo.fr)

Distributed by :

**OneTemp**<sup>pty Ltd</sup>  
MEASURE | CONTROL | RECORD  
[www.onetemp.com.au](http://www.onetemp.com.au)  
1300 768 887