

# ***POWERTECH***



12V 2.5A DC to DC  
Uninterruptable Power Supply  
User Manual

**MP5240**

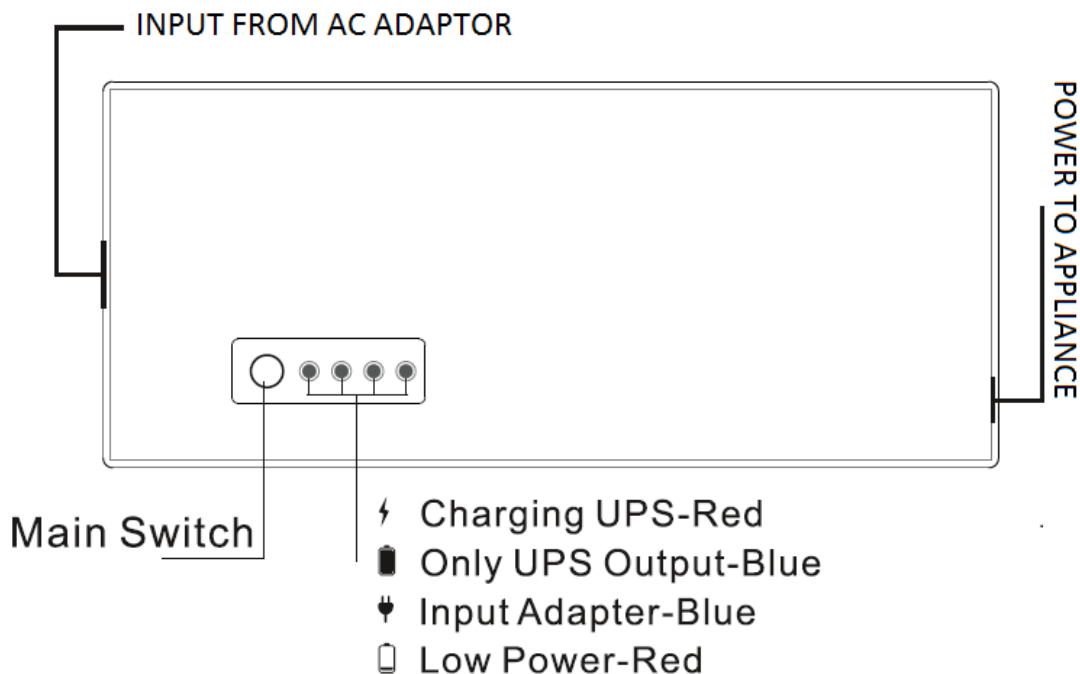
## Description:

The MP5240 is a DC uninterruptible power supply (UPS) which is designed to fit between your appliance and its existing 12 Volt AC Adaptor.

When AC power is present, the 12 Volts from the AC Adaptor passes directly through the MP5240 to your appliance.

The MP5240 also contains an internal lithium-ion rechargeable battery which is simultaneously charged (approx. draw 0.65A) from the AC Adaptor power. If the AC power is interrupted, the internal battery immediately takes over supplying 12 Volts to your appliance, and will do so until either AC power is restored or the battery goes flat.

## General Layout:



## Product Specifications:

Input: 12V, 3A

Output: 12V, 2.5A (Rated), 3A (Max)

Input connector: 5.5\*2.1MM DC socket

Output connector: 5.5\*2.5MM DC plug





Over current protection: 3.5A±0.5A

Battery Capacity: 7.4v, 4000mAh (29.6wh)

Dimensions: 138.0mm (L) x 60.0mm (W) x 24.0mm (H)

Weight : 260g

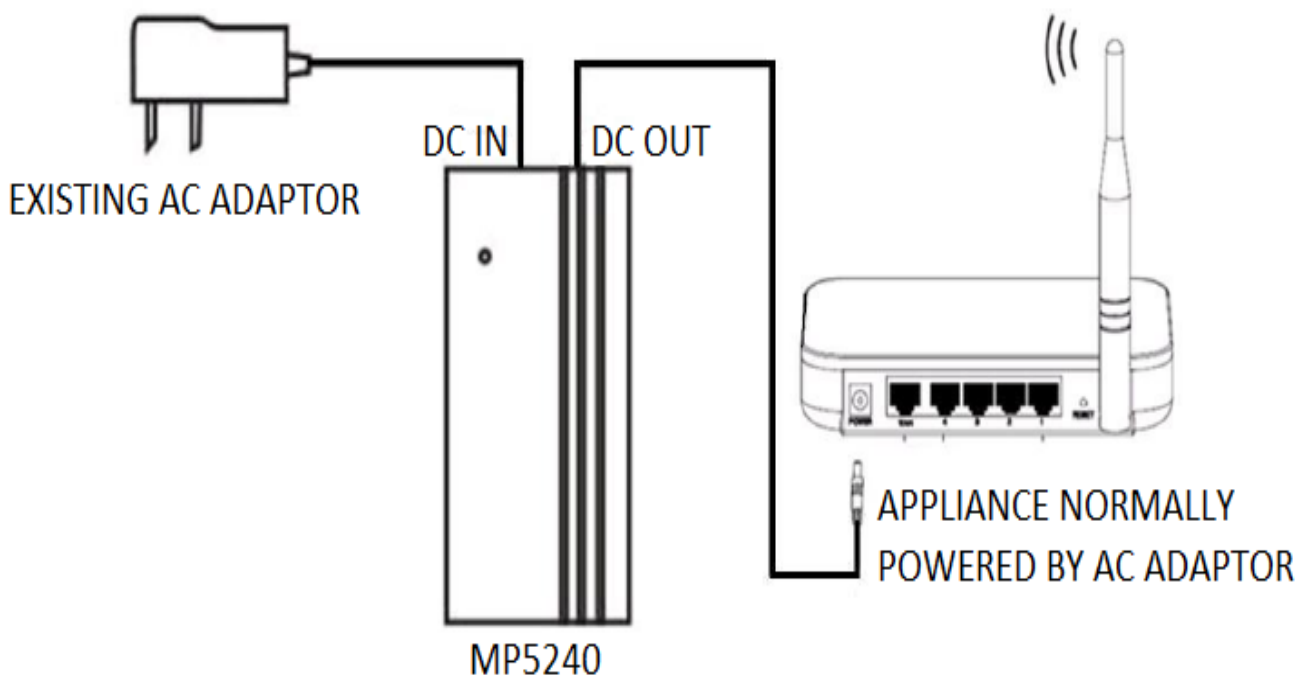
## Understanding LED indicators:

Item	Description
	RED ON while ups is charging, RED OFF while ups is full charged
	BLUE ON,ups without input, but ups provides power to device
	BLUE ON while ups with input, device energy comes from the main supply, ups will not release energy
	RED ON while ups in low power
Switch ON/OFF	When ups with full energy and with input ups automatically switch on once it has input and ups battery with enough power , ups connect with load get into work mode automatically.
	When ups without input, press 1 time-switch on , continuously press 2 times-Switch off.

## Operation Guide:

- Connect AC adapter 12V output to UPS input jack
- Connect UPS 12V output to appliance's input jack, using appropriate plug adaptor if necessary.
- Plug AC Adaptor into mains power and switch on.
- It is recommended you fully charge the UPS prior to use.
- To facilitate input and output connections (if required) 3 different DC adaptors have been included. Mix and match as required.

(5525M->5521F, 35135M->5525F, 5521M->35135F)



## **Storage:**

When stored, the UPS will self-discharge at a rate that is greatly affected by the ambient temperature. It should therefore be fully charged before being put into storage and if it is to be stored for a long period, it should be recharged periodically to prevent the battery from losing its original capacity. As a guide, the UPS should not be stored for longer than the periods shown below without being recharged:

6 months at 20° C

3 months at 30° C

2 months at 35° C

## **Warning:**

- Equipment voltage must match UPS voltage
- Avoid dropping the product.
- Keep the UPS away from heating sources, water and fire.
- Do not disassemble the UPS or other components.
- Please read the user manual carefully before using, incorrect operation will damage the product.
- This product is not a toy! Keep it away from children.

# **Distributed by:**

Tech Brands by Electus Distribution Pty. Ltd.  
320 Victoria Rd, Rydalmere  
NSW 2116 Australia

Ph:1300 738 555

Int'l: +61 2 8832 3200

Fax: 1300 738 500

[www.techbrands.com](http://www.techbrands.com)

Made in China