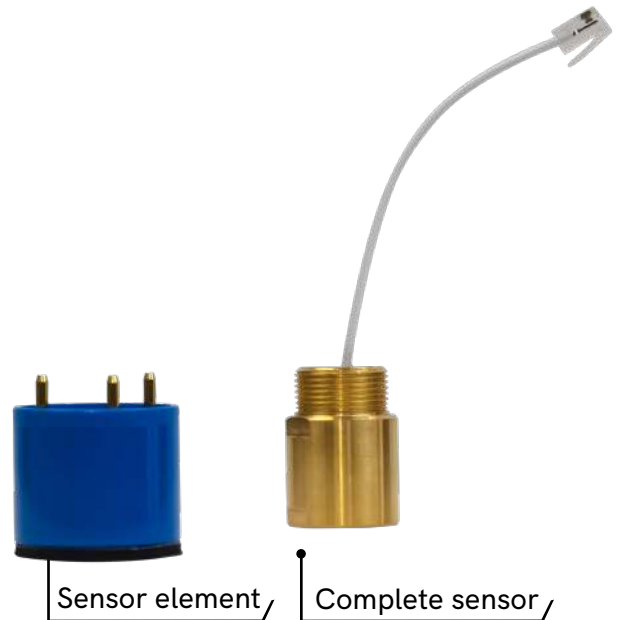


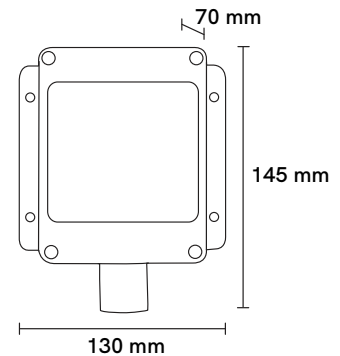
# E-Sense Ammonia (NH<sub>3</sub>)

2726



## Specifications

- ✓ Electrochemical gas sensor
- ✓ Ranges: 0-150 ppm, 0 - 300 ppm, 0 - 1000 ppm
- ✓ Easy calibration and maintenance
- ✓ Loop powered 4-20 mA output
- ✓ Replaceable sensor element or complete sensor options
- ✓ Calibration kit available



# E-SENSE



## Electrochemical Sensor Replacement Options

### Option 1 Sensor Element



### Option 2 Complete Sensor Replacement

