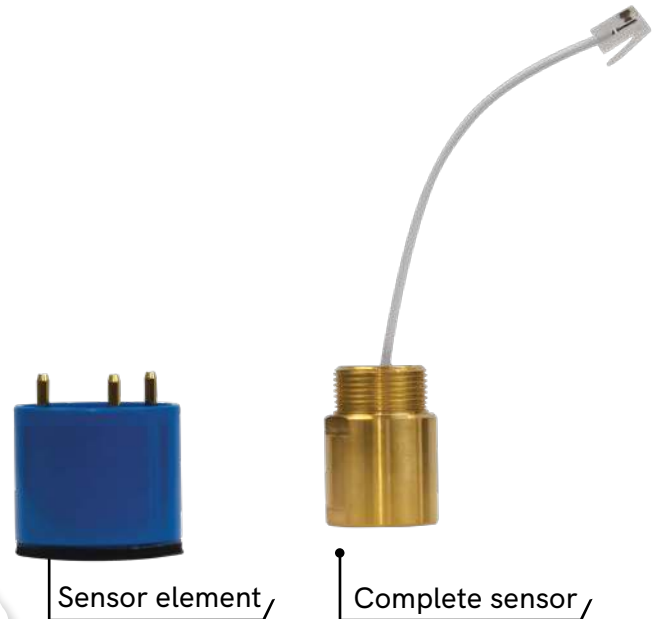


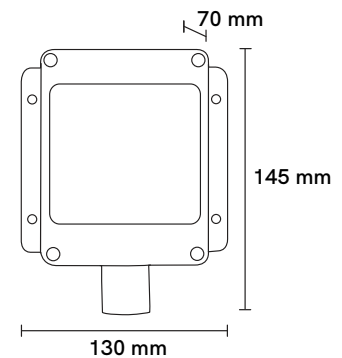
E-Sense Carbon Monoxide (CO)



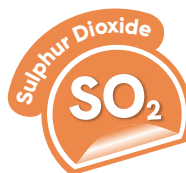
*Replacement sensor requires full calibration.

Specifications

- ✓ Electrochemical gas sensor
- ✓ Ranges: 0-100 ppm, 0 - 200 ppm
- ✓ Easy calibration and maintenance
- ✓ Loop powered 4-20 mA output
- ✓ Replaceable sensor element or complete sensor options
- ✓ Calibration kit available



E-SENSE



Electrochemical Sensor Replacement Options

Option 1 Sensor Element



Option 2 Complete Sensor Replacement

