

Protective Case (CASE-4X-2)

For use with HOBO® 4-Channel Thermocouple Logger (UX120-014M)



Items Included:

- Protective case
- 4 mounting brackets and screws
- 2 grommet assemblies
- 1 dome plug
- Logger removal tool
- Desiccant

Items Required:

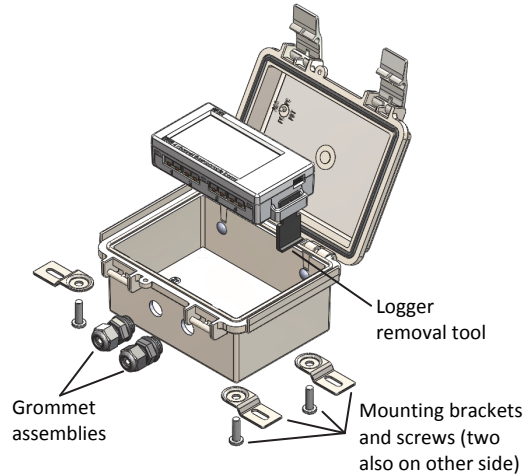
- Phillips screwdriver
- HOBO 4-Channel Thermocouple Logger (UX120-014M)
- Up to 4 thermocouples (TC6-K, TC6-J, or TC6-T)

Weight: 397 g (14 oz), not including logger

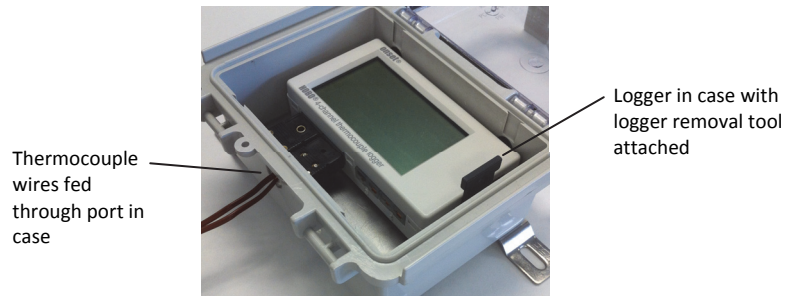
Dimensions: 12.17 x 13.41 x 7.04 cm (4.79 x 5.28 x 2.77 inches), case

12.17 x 16.18 x 7.72 cm (4.79 x 6.37 x 3.04 inches), case with mounting brackets

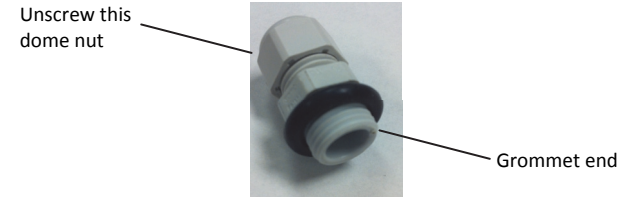
Onset's NEMA 4X protective case is designed to offer a weather-resistant enclosure to mount the HOBO UX120-014M data logger in wet, dusty, or condensing environments for short deployments where additional protection is needed.



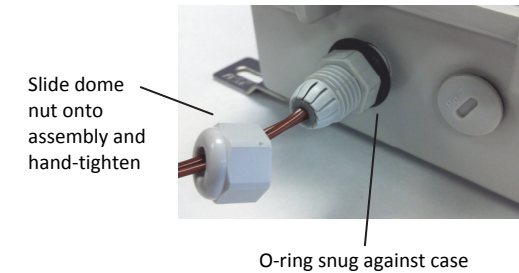
1. Use a Phillips screwdriver to attach the four mounting brackets to the back of the case.
2. Plug in all the thermocouples into the appropriate ports (channels 1–4) on the logger as configured in HOBOWare® software.
3. Insert the logger removal tool into the logger's mounting loop from the bottom up so that it hooks onto the mounting loop and the narrow end is pointed up.
4. Remove thermocouple wires from the attached spool and remove the spool from the connector, if applicable. Holding the logger with one hand, feed the thermocouple wires through the two ports in the side of the case. Insert the wires from channels 1 and 2 on the logger through the port on the left and the wires from channels 3 and 4 through the port on the right.
5. Place the logger in the case, attaching the magnetic side of the logger to the metal plate. If you need to reposition the logger in the case, pull the logger out of the case with the logger removal tool.



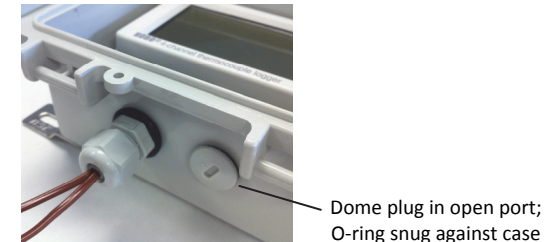
1. Unscrew the dome nut from one of the two grommet assemblies.



2. Feed the wires on the side of the case through the grommet assembly, O-ring side first. Hand-tighten the grommet end of the assembly in the hole so that the O-ring is snug against the protective case. Feed the wires through the dome nut and then hand-tighten it back on the assembly. Turn an additional quarter-turn with a wrench to further tighten, but do not force.



3. Repeat steps 6 and 7 with the other assembly and thermocouples. If there are no thermocouples in the other port, then screw the dome plug into the open port so the O-ring is snug against the case as shown below.



4. Open the foil pouch containing the desiccant and place the desiccant inside the case to absorb/minimize internal condensation.
5. Close the lid on the case and mount it to a flat surface. The measurements to the center of the mounting bracket holes are 6.6 cm (2.6 inches) wide (top to bottom on both sides) and 13.89 cm (5.47 inches) long (left to right).

To read out the logger while it is in the case, open the lid and use the logger removal tool to remove the logger. Connect the USB cable to the logger. Place the logger back in the case with the logger removal tool attached when finished.