

Well Cap Installation Instructions (WELL-CAP-01)

For use with HOBO® MX2001, U20, U20L, U24, and U26 series loggers

Items Included

- Well cap with disk and screw
- Zip tie

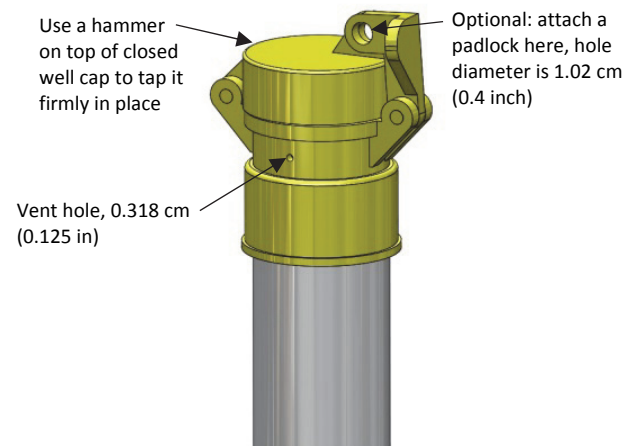
Before you Begin

Follow these instructions before deploying the logger in the well. If the logger has already been installed in a well, remove it before continuing.

Attaching the Well Cap to a Well

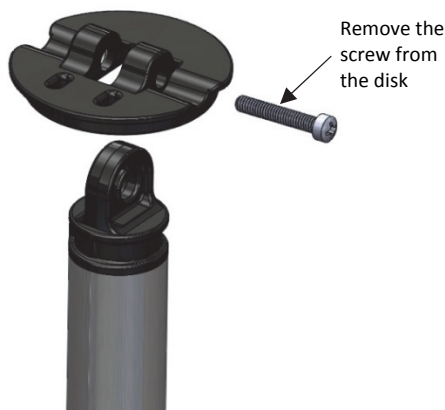
This cap can be installed on a standard 5 cm (2 inch) pipe, metal or PVC, without glue. It also fits on most threaded 5 cm (2 inch) pipes. If the cap is too loose once installed on a threaded pipe, add a small piece of connector pipe that is threaded on one end and cut off on the other end, leaving no threads on the end to be connected to the well cap. Or, you can add duct tape around the threaded portion so that the cap is snug when placed on the pipe.

Place the closed well cap on the end of the well. Use a hammer or mallet to tap the well cap firmly in place. Attach a padlock to the latch if desired.

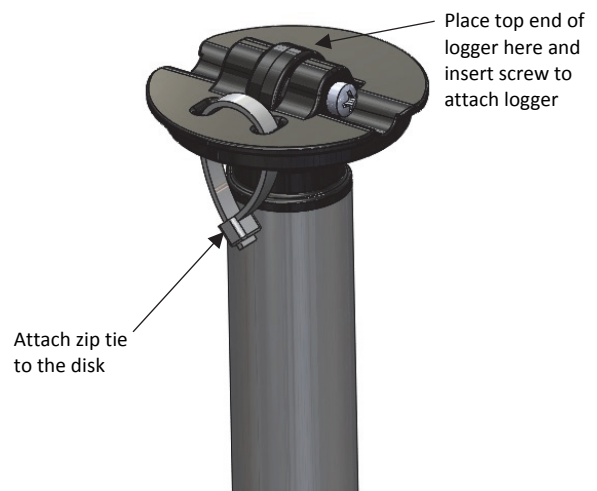


Installing a HOBO MX2001 Logger

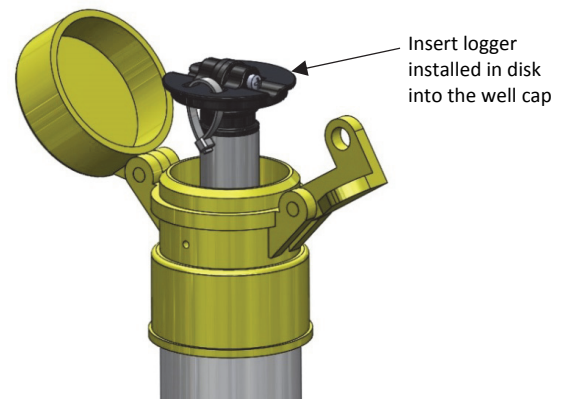
1. If the disk is inside the well cap, remove it. Remove the screw from the disk with a Phillips-head screwdriver.



2. Insert the top end of the logger into the opening between the two raised holes on the disk. Slide the screw through all three holes and tighten it with a screwdriver. Attach the zip tie to the disk by feeding it through the two side holes as shown below.



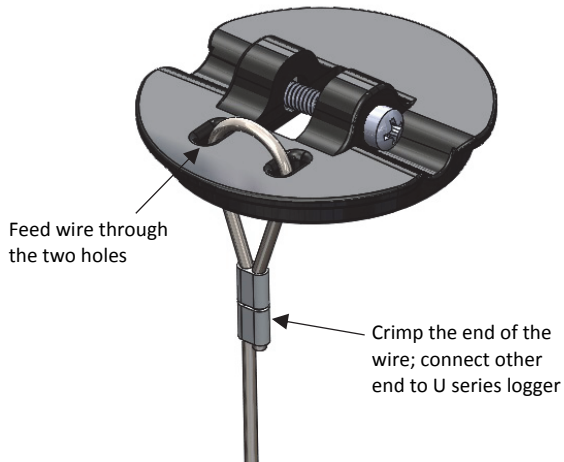
3. Place the disk with the installed logger into the well cap.



4. Close the well cap. Use the zip tie as a handle to pull out the logger and disk as needed.

Installing a HOBO U Series Logger

1. If the disk is inside the well cap, remove it and leave the screw in place as shown below.
2. Feed the wire you are using to deploy the logger through the two side holes on the disk and crimp it as shown below using two crimps. Connect the other end of the wire to the logger. Or, you can suspend cables from the screw for mounting additional loggers.



3. Insert the logger and disk into the well cap as shown in the example in step 3 of the MX2001 logger instructions.
4. Close the well cap. Use the wire as a handle to pull out the logger and disk as needed.