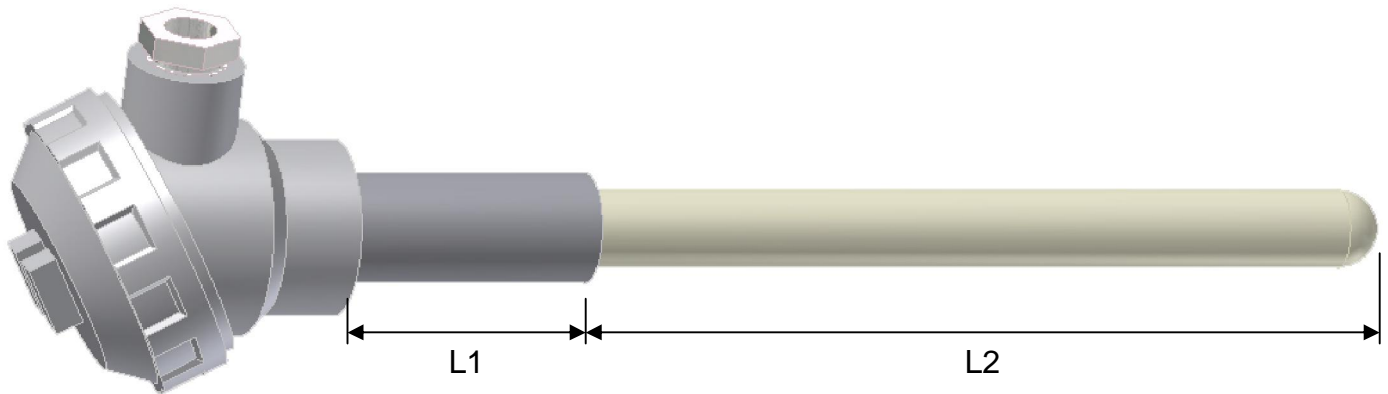


High Temperature Ceramics

TM-C



Order Code	L1	L2	Calibration	Sheath Type	Max Temp
TM-CR100-250-610LH	100mm	250mm	R	610	1400°C
TM-CR100-350-610LH	100mm	350mm	R	610	1400°C
TM-CR100-450-610LH	100mm	450mm	R	610	1400°C
TM-CR100-250-710LH	100mm	250mm	R	710	1600°C
TM-CR100-350-710LH	100mm	350mm	R	710	1600°C
TM-CR100-450-710LH	100mm	450mm	R	710	1600°C
TM-CS100-250-610LH	100mm	250mm	S	610	1400°C
TM-CS100-350-610LH	100mm	350mm	S	610	1400°C
TM-CS100-450-610LH	100mm	450mm	S	610	1400°C
TM-CS100-250-710LH	100mm	250mm	S	710	1600°C
TM-CS100-350-710LH	100mm	350mm	S	710	1600°C
TM-CS100-450-710LH	100mm	450mm	S	710	1600°C
TM-CK100-250-610LH	100mm	250mm	K	610	1200°C
TM-CK100-350-610LH	100mm	350mm	K	610	1200°C
TM-CK100-450-610LH	100mm	450mm	K	610	1200°C
TM-CN100-250-610LH	100mm	250mm	N	610	1250°C
TM-CN100-350-610LH	100mm	350mm	N	610	1250°C
TM-CN100-450-610LH	100mm	450mm	N	610	1250°C

Trade Names:

610	<ul style="list-style-type: none"> Pythagoras
710	<ul style="list-style-type: none"> AL23 Alumina Alsint

Standard TM-C probes are made with a ½" NB (21.34mm) support and a 15mm OD ceramic sheath. The supports are made from 316 stainless steel, other materials available on request. A 2 way ceramic terminal block is housed in a large alloy head.

*Platinum probes (Type S and Type R) are available in 0.35mm and 0.5mm wire. Please consult your nearest sales office for advice on the best choice. Platinum probe prices change daily with the market value of platinum and rhodium, be sure to ask for a current price.

Note: All ceramics are susceptible to thermal shock and should be preheated or gradually brought up to operating temperature.