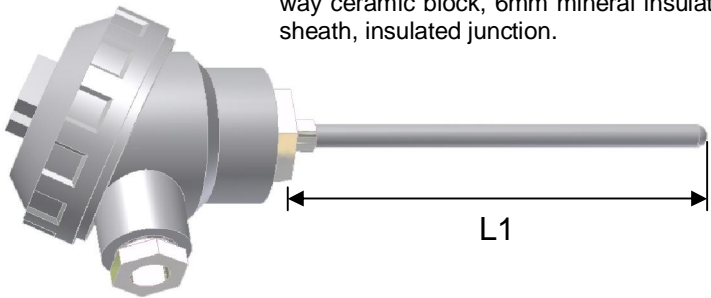


## General Purpose Thermocouples

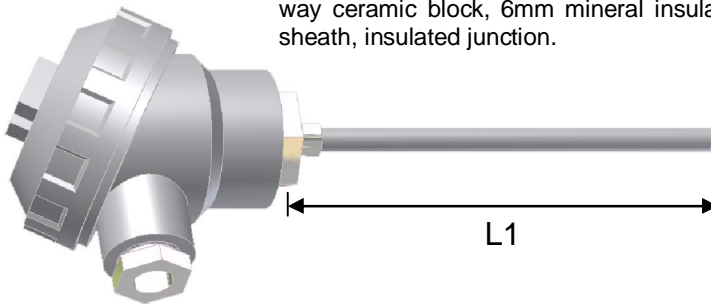
**TM-H Small Head** TM-H's supplied with small alloy head, 2 way ceramic block, 6mm mineral insulated sheath, insulated junction.



Order Code	Length L1	Calibration
TM-H60K310-100SH	100mm	K
TM-H60K310-150SH	150mm	K
TM-H60K310-200SH	200mm	K
TM-H60K310-300SH	300mm	K
TM-H60J321-100SH	100mm	J
TM-H60J321-150SH	150mm	J
TM-H60J321-200SH	200mm	J
TM-H60J321-300SH	300mm	J

Other calibrations, Lengths & Diameters available on request.

**TM-H Large Head** TM-H's supplied with large alloy head, 2 way ceramic block, 6mm mineral insulated sheath, insulated junction.

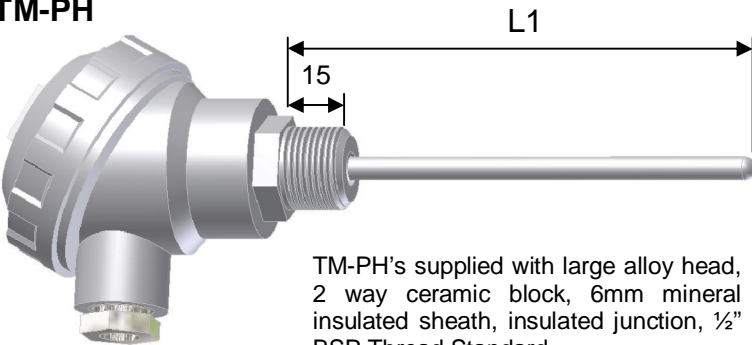


Order Code	Length L1	Calibration
TM-H60K310-100LH	100mm	K
TM-H60K310-150LH	150mm	K
TM-H60K310-200LH	200mm	K
TM-H60K310-300LH	300mm	K
TM-H60J321-100LH	100mm	J
TM-H60J321-150LH	150mm	J
TM-H60J321-200LH	200mm	J
TM-H60J321-300LH	300mm	J

Add for Transmitter: 5334A3B

Other calibrations, Lengths & Diameters available on request.

**TM-PH**



TM-PH's supplied with large alloy head, 2 way ceramic block, 6mm mineral insulated sheath, insulated junction, 1/2" BSP Thread Standard.

Order Code	Length L1	Cal
TM-PH60K310100-1/2BSP-LH	100mm	K
TM-PH60K310150-1/2BSP-LH	150mm	K
TM-PH60K310200-1/2BSP-LH	200mm	K
TM-PH60K310300-1/2BSP-LH	300mm	K
TM-PH60J321100-1/2BSP-LH	100mm	J
TM-PH60J321150-1/2BSP-LH	150mm	J
TM-PH60J321200-1/2BSP-LH	200mm	J
TM-PH60J321300-1/2BSP-LH	300mm	J

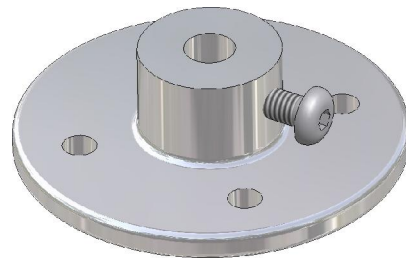
Add for Transmitter: 5334A3B

Add for Spring loaded

### Probe Options

(Add to probe Order Code where required)

Order Code	Description
CI	Cast Iron Head
CS	Cast Stainless Steel Head
PSS	Machined Polished Stainless Steel Head
WP	White Poly Head
BH	Bakelite Head
FL	50mm Alloy Adjustable Flange



### Compression Union Options

(Add to probe Order Code where required)

Order Code	Description
CFS1/4to1/8	Stainless Steel 1/4" Tube to 1/8" BSP
CFS1/4to1/4	Stainless Steel 1/4" Tube to 1/4" BSP
CFS1/4to1/2	Stainless Steel 1/4" Tube to 1/2" BSP

