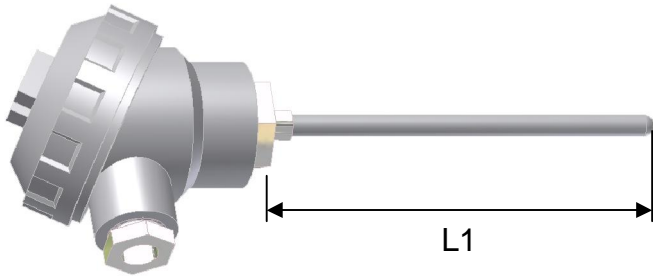


## General Purpose RTD'S

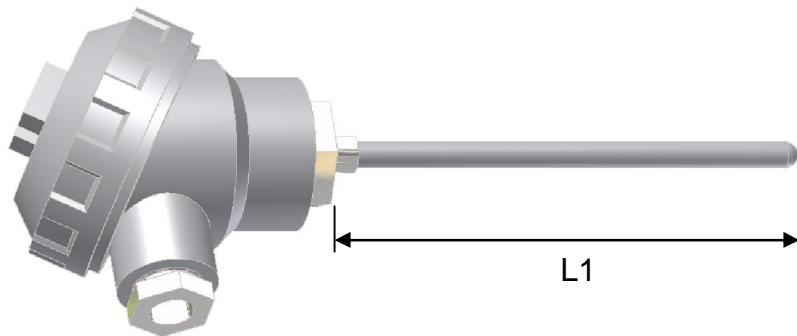
### RM-H Small Head



Small Alloy Head, Ceramic 3 way block, PT100 Class A, 6.4mm OD 316 Stainless Steel stem. Max Temp 260°C.

Order Code	Length L1
RM-H64-100SH	100mm
RM-H64-150SH	150mm
RM-H64-200SH	200mm
RM-H64-250SH	250mm
RM-H64-300SH	300mm

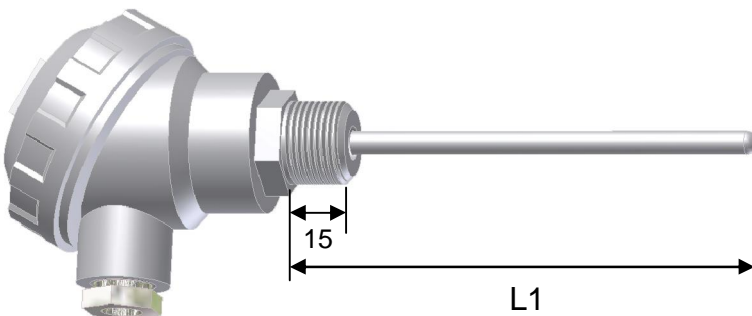
### RM-H Large Head



Large Alloy Head, Ceramic 3 way block, PT100 Class A, 6.4mm OD 316 Stainless Steel stem. Max Temp 260°C.

Order Code	Length L1
RM-H64-100LH	100mm
RM-H64-150LH	150mm
RM-H64-200LH	200mm
RM-H64-250LH	250mm
RM-H64-300LH	300mm
Add for Transmitter: 5333A	

### RM-PH



Large Alloy Head, Ceramic 3 way block, PT100 Class A, 6.4mm OD 316 Stainless Steel stem. Max Temp 260°C. 1/2" BSPT Standard.

Order Code	Length L1
RM-PH64-100-1/2BSP-LH	100mm
RM-PH64-150-1/2BSP-LH	150mm
RM-PH64-200-1/2BSP-LH	200mm
RM-PH64-250-1/2BSP-LH	250mm
RM-PH64-300-1/2BSP-LH	300mm
Add for Transmitter: 5333A	
Add for Spring loaded	

### Probe Options

(Add to probe Order Code where required)

Order Code	Description
CI	Cast Iron Head
CS	Cast Stainless Steel Head
PSS	Machined Polished Stainless Steel Head
WP	White Poly Head
BH	Bakelite Head
FL	50mm Alloy Adjustable Flange

### Compression Union Options

(Add to probe Order Code where required)

Order Code	Description
CFS1/4to1/8	Stainless Steel 1/4" Tube to 1/8" BSP
CFS1/4to1/4	Stainless Steel 1/4" Tube to 1/4" BSP
CFS1/4to1/2	Stainless Steel 1/4" Tube to 1/2" BSP

