

Boilers

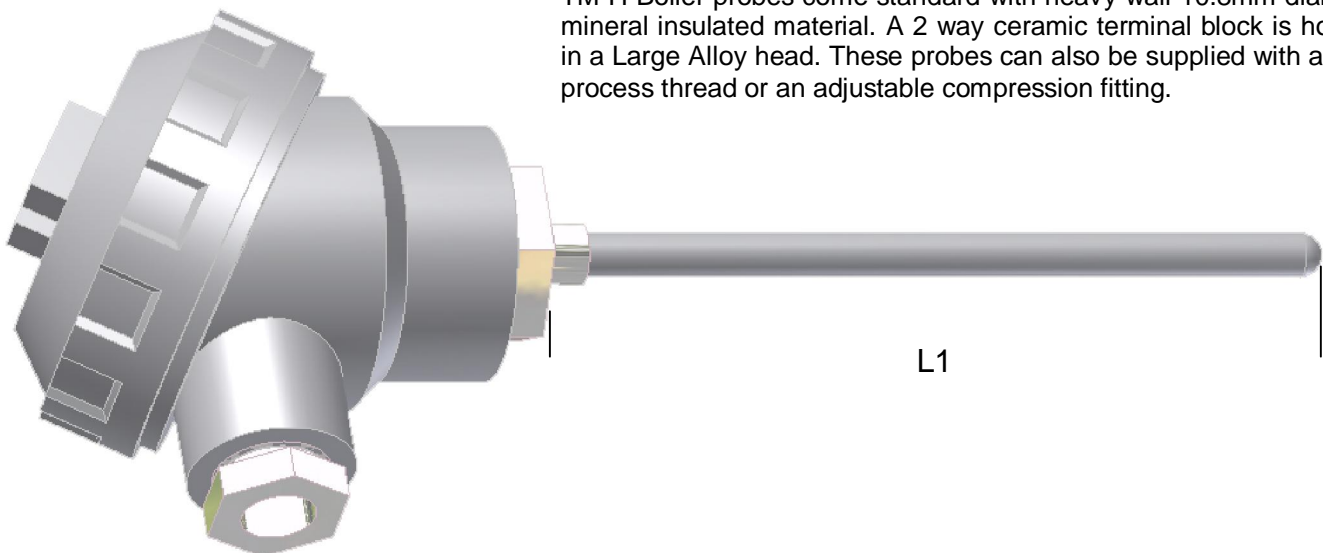
TM-P



Order Code	Length L1	Calibration	Sheath OD
TM-P30K310-250-P	250mm	K	3mm
TM-P30K310-500-P	500mm	K	3mm
TM-P30K310-750-P	750mm	K	3mm
TM-P30K310-1000-P	1000mm	K	3mm
TM-P60K310-250-P	250mm	K	6mm
TM-P60K310-500-P	500mm	K	6mm
TM-P60K310-750-P	750mm	K	6mm
TM-P60K310-1000-P	1000mm	K	6mm

TM-Ps are mineral insulated with a brass crimp which locks into a standard or mini plug. Type K with a 310 Stainless sheath is standard, providing a maximum temperature up to 1100°C. A range of calibrations, sheath diameters and lengths are available on request

TM-H Boiler



TM-H Boiler probes come standard with heavy wall 10.8mm diameter mineral insulated material. A 2 way ceramic terminal block is housed in a Large Alloy head. These probes can also be supplied with a fixed process thread or an adjustable compression fitting.

Order Code	Length L1	Calibration	Sheath Type
TM-H108K310-250-LH	250mm	K	310 Stainless
TM-H108K310-350-LH	350mm	K	310 Stainless
TM-H108K310-450-LH	450mm	K	310 Stainless
TM-H108K600-250-LH	250mm	K	Inconel 600
TM-H108K600-450-LH	450mm	K	Inconel 600
TM-H108K600-250-LH	250mm	N	Inconel 600
TM-H108K600-450-LH	450mm	N	Inconel 600
TM-H108KNIC-250-LH	250mm	N	Nicrobell
TM-H108KNIC-450-LH	450mm	N	Nicrobell