

Lite Series

Industrial Router

UR32L

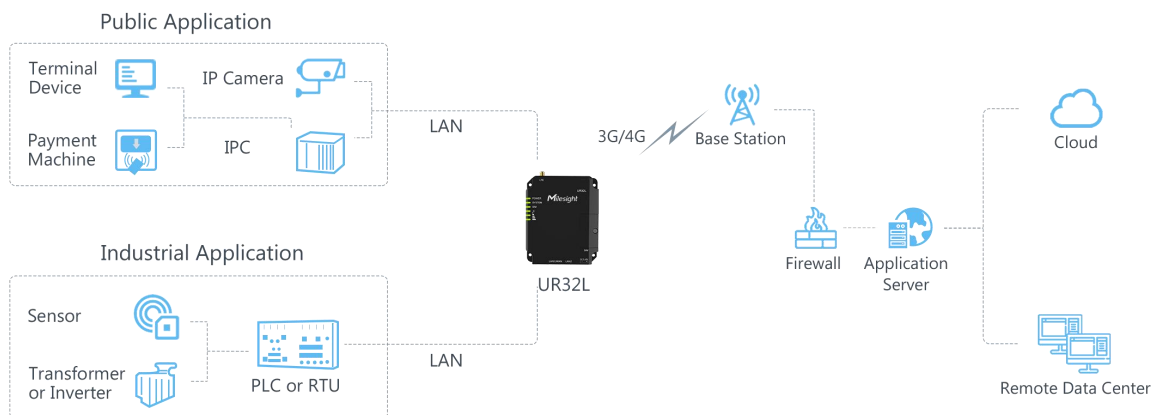


UR32L is a cost-effective industrial cellular router with embedded intelligent features that are designed for multifarious M2M/IoT applications. Global WCDMA and 4G LTE carrier supported make this drop-in connectivity a great help for operators in maximizing uptime. UR32L also has 2 fast Ethernet ports, which delivers users an uninterrupted internet access.

Integrating watchdog and multi-link failover detection, UR32L provides stable communications. Combining DeviceHub and MilesightVPN, UR32L can help you manage network easily and efficiently.

Easy deployment and comprehensive remote device management makes UR32L versatile in most of IoT/M2M applications.

◆ Application Example



◆ Features

Reliable 3G/4G Network

- Global 4G LTE CAT4/3G network with multiple carrier networks
- Automated failover/failback between Ethernet and cellular (SIM card)

Industrial-Grade Design

- NXP industrial grade processor
- Rugged enclosure with IP30 protection for harsh environment
- DIN rail or shelf mounting
- Support wide operating temperature ranging from -40°C to +70°C/-40°F to +158°F

Security & Reliability

- Secure transmission with VPN tunnels like IPsec/OpenVPN/GRE/L2TP/PPTP /DMVPN
- Embeds hardware watchdog to automatically recover from various failures, ensure highest level of availability
- Supports access control lists, DMZ, DDoS Protection, Filters, SPI firewalls
- Establishes a secured mechanism on centralized authentication and authorization of device access by supporting AAA (Radius, TACACS+, LDAP, local Authentication) and multiple levels of user authority

Easy Maintenance

- DeviceHub provides easy setup, mass configuration, and centralized management of remote devices
- The user-friendly web interface design and more than one option of upgrade help administrator to manage the device as easy as pie
- WEB GUI and CLI enable the admin to achieve simple management and quick configuration among a large quantity of devices
- Efficiently manage the remote routers on the existing platform through the industrial standard SNMP

◆ Specifications

Hardware System

CPU	ARM Cortex-A7, 528 MHz
Memory	128 MB DDR3 RAM and 128MB Flash

Cellular Interface

Antenna Connector	1 × 50 Ω SMA Connectors (Center PIN: SMA Female)
SIM Slots	1 (Mini SIM-2FF)

Ethernet Interface

Numbers	2 × 10/100 Mbps
Property	1 × WAN + 1 × LAN or 2 × LAN
Mode	Full or half duplex (Auto-Sensing)
PoE	2 × 802.3 af/at PoE PSE on LAN Ports (Optional)

Others

Reset Button	1 × RESET
LED Indicators	1 × POWER, 1 × SYSTEM, 1 × SIM, 3 × Signal strength
Built-in	Watchdog, Timer

Software

Network Protocols	IPv4/IPv6, PPP, PPPoE, SNMP v1/v2c/v3, TCP, UDP, DHCP, RIPv1/v2, OSPF, DDNS, VRRP, HTTP, HTTPS, DNS, ARP, QOS, SNTP, Telnet, VLAN, SSH, etc.
VPN	DMVPN, IPsec, OpenVPN, PPTP, L2TP, GRE
Security	Access Control, DMZ, Port Mapping, MAC Binding, SPI Firewalls, DoS&DDoS Protection, Filtering(IP&Domain), IP Passthrough
Management	Web, CLI, SMS, On-demand dial up, SNMP v1/v2/v3, DeviceHub
AAA	Radius, Tacacs+, LDAP, Local Authentication
Multilevel Authority	Multiple Levels of User Authority
Reliability	VRRP, WAN Failover

Power Supply and Consumption

Power Connector	2-pin 5.08 mm Terminal Block
Input Voltage	9-48 VDC, with Surge-Protection and Reverse Polarity Protection
Power Consumption	Typical 1.8 W, Max 2.2 W (In Non-PoE mode)

Physical Characteristics

Ingress Protection	IP30
Housing	Metal

Dimension 108 x 90 x 26 mm (4.25 x 3.54 x 1.02 in)

Installation Desktop, Wall or DIN Rail Mounting

Environmental

Operating -40°C to +70°C (-40°F to +158°F)

Temperature Reduced Cellular Performance Above 60°C

Storage Temperature -40°C to +85°C (-40°F to +185°F)

Ethernet Isolation 1.5 kV RMS

Relative Humidity 0% to 95% (non-condensing) at 25°C/77°F

Approvals

Regulatory CE, FCC, RCM

Environmental RoHS

EMC EN 55032, EN 55035

IEC 61000-4-2 Level 3

IEC 61000-4-3 Level 2

IEC 61000-4-4 Level 2

EMS IEC 61000-4-5 Level 2

IEC 61000-4-6 Level 3

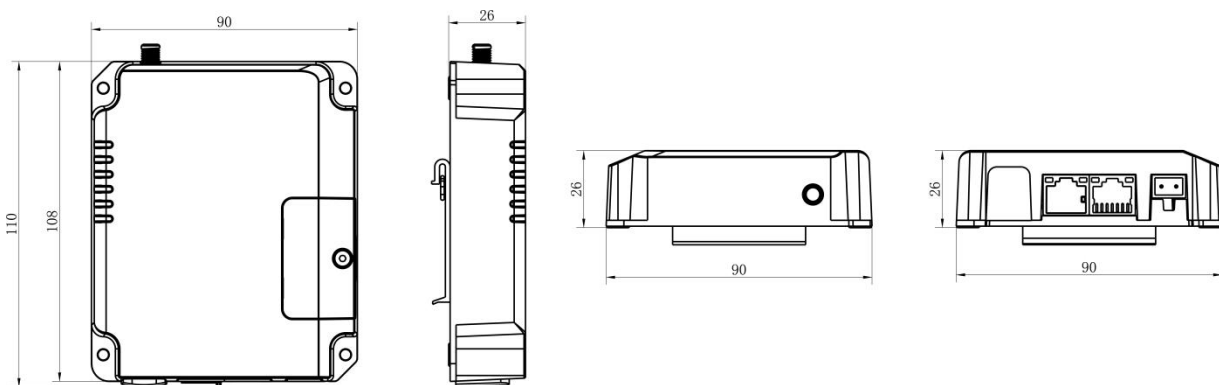
IEC 61000-4-8 Level 1

IEC 61000-4-11 Level 3

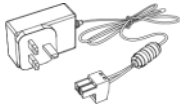
Radio Frequency EN 301 489-1/17/19/52, EN 301 511, EN 301 908-1/2/13, EN 303 413

Safety EN62368-1

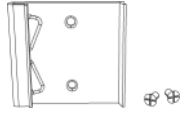
◆ Dimensions(mm)



◆ Accessories



1 × Power Adapter



1 × DIN Rail Kit



4 × Wall Mounting
Kits



1 × Magnetic
Cellular Antenna



1 × Stubby Cellular
Antenna **(Optional)**

***Note:** Contact us if you need any other special accessories or customized accessories.