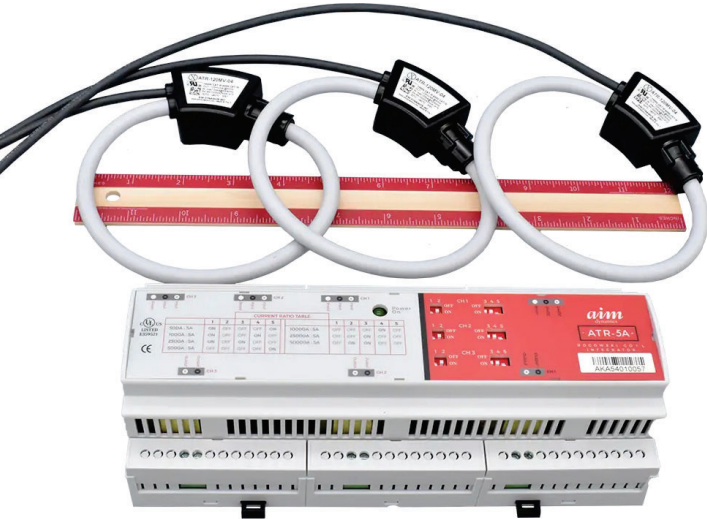


ATR-120MV Series — Integrator Options

5A Output



ATR-120MV Series

ATR-5A

ATR-5A Rogowski Integrator Kit Datasheet Specifications

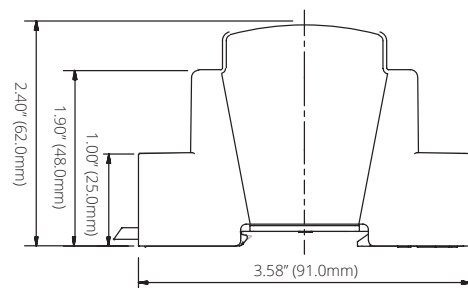
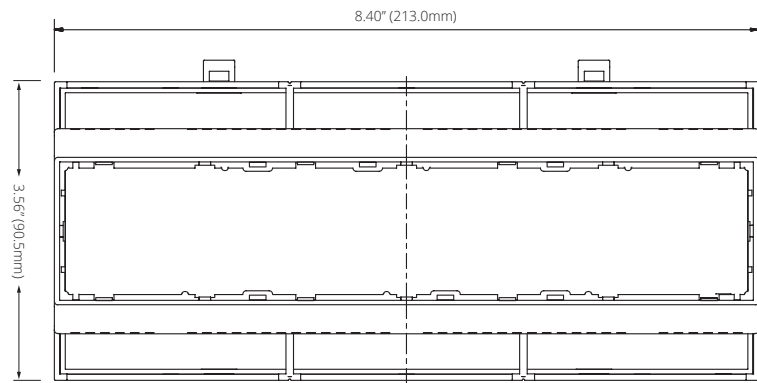
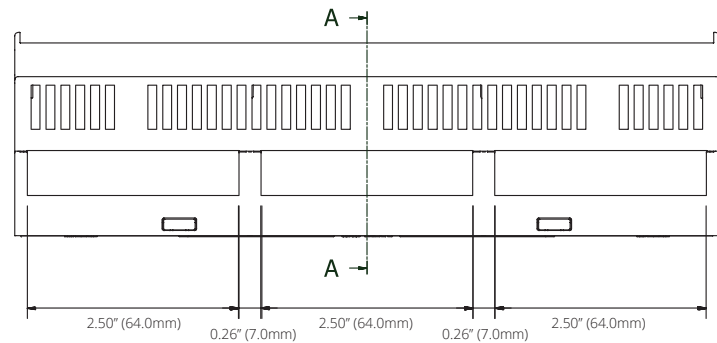
The Aim Dynamics 5A Rogowski Integrator Kit (ATR-5A) efficiently accommodates up to three channels for Rogowski coils, enabling integration with any metering device application that requires a 5A input. Each channel of the integrator can be tailored to accept one of seven selectable CT ratios, providing enhanced versatility. The ATR-5A is suitable for use in services with AC currents up to 60,000A.

SPECIFICATIONS

Current Range	2.5A - 60000A
Input Type	500A, 1000A, 2500A, 5000A, 10000A, 25000A, 50000A User Selectable
Integrator Output	0 - 6A RMS (0 - 5A RMS Nominal)
Integrator Accuracy	±1% Full Scale Error
Integrator Kit Size	253.0mm x 90.5mm x 100mm 9.97" x 3.56" x 3.94"
Output Wire Connection	14 AWG (Recommended)
Operating Temperature	55°C (131°F) Maximum
Operating Humidity	Non-condensing, 0 to 95% RH
Integrator Enclosure Material	ABS, UL 94V-0
Mounting	DIN TS-35/7.5 or 15 (DIN 43880) or Panel
Measurement Channels	3 Channels (three-phase or single-phase)
Channel Cross Talk	<-60dB
Response Time	<10ms
Burden	1.8VA/channel
Maximum Output Impedance	50mΩ
Power Supply	AC/DC Power Supply 24Vdc, 85-264Vac
Supply Voltage	24Vdc ±5%
Supply Current	0.9Adc at 24Vdc
Certifications	Certifications CE, RoHS, UL Listed (E359521)
Origin	Made in Canada

COIL SPECIFICATIONS - UNIT INCLUDES SET OF 3

Inner Diameter	ATR-5A-04 = 4"
	ATR-5A-07 = 7"
	ATR-5A-11 = 11"
Material	Thermoplastic UL94-V0
Wire Polarity	White=Positive, Black=Negative + Shielding (Blue wire (-) & bare wire)
Phase Orientation	Arrow Points Towards Source

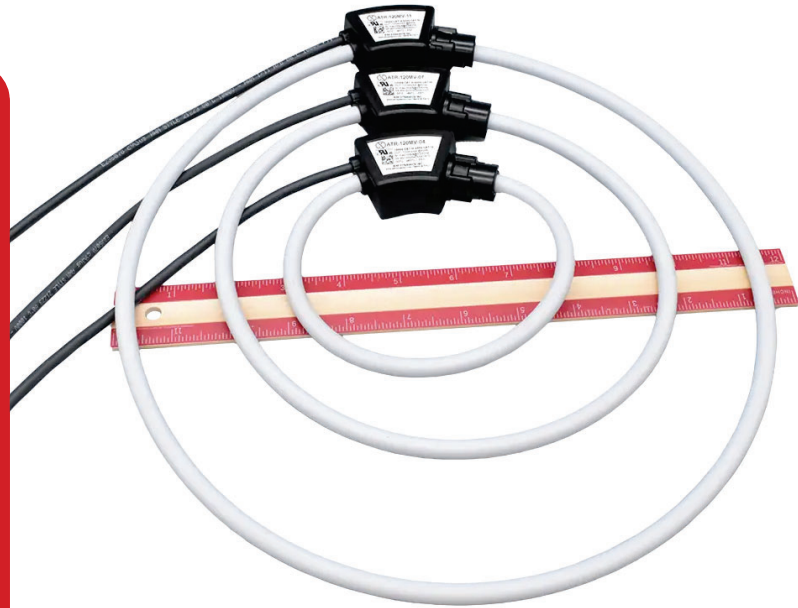


ATR-120MV Series

ATR-120MV

The ATR-120MV is Aim Dynamics' Thin Rogowski coil series. It outputs 120 mV per kA at 60 Hz, and 100 mV per kA at 50 Hz, yet is significantly thinner than similar Rogowski coils out there. The diameter of the coil is a mere 8 mm, making it much easier than other Rogowski coils to thread through crowded areas in a panel.

The coil cannot be damaged by large overloads, and can measure up to 100 kA! The coil is completely shielded and has temperature compensation built-in, making it more accurate than competing coils. In addition, the coil is IP67 rated, such that it can be immersed in liquid without damaging the coil. Each unit is calibrated and test reports are available upon request. UL Listed ATR-120MV units are available, upon request.



▲ SPECIFICATIONS

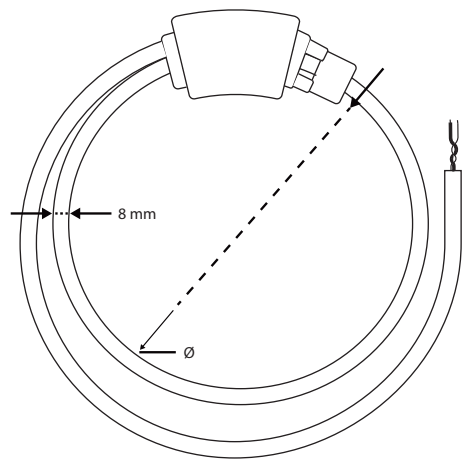
Max Current	500 mA – 100 kA
Input Type	AC
Output @ 60 Hz	120 mV per kA
Output @ 50 Hz	100 mV per kA
Accuracy	0.5 Class per IEC 61869-2
Linearity	0.2%
Positioning Error	Better than 1% of reading
Coil Resistance	Between 70 and 900 Ω
Protection Degree	IP67
Working Voltage	1000 V CAT III 600V CAT IV Pollution Degree 2
Withstand Voltage	7400 Vrms / 1 min
Operating Temperature	-30 °C to 80 °C
Safety	UL 61010-1, UL 61010-031, UL 61010-2-031, UL 61010-032
Material	Thermoplastic UL94-V0
Coil Thickness	8.3 mm ±0.2 mm
Lead Type	3 meters of shielded 5 mm cable
Operating Frequency	40 to 14 kHz (3dB)
Mechanical Clasp Strength	77 N
Origin	Made in Italy

▲ APPLICATIONS

- Power monitoring & control systems
- DC ripple measurement
- Harmonics and transients monitoring
- Wide range current monitoring
- Measuring devices, lab instrumentation
- Underground/wet applications



▲ PRODUCT DIMENSIONS



▲ MODEL BUILDER (COIL ONLY)



Diameter

XX: 04 = 4"
07 = 7"
11 = 11"